

M-iClean UM – Undercounter glasswasher

All MEIKO dishwashing machines are designed and built to provide maximum efficiency. That's what customers expect – and that's exactly what they get. But the M-iClean goes even further. Equipped with the full spectrum of innovative warewashing technology, the M-iClean's intuitive operating concept ensures maximum efficiency and reliability.

Execution for: United Arab Emirates Glasswasher

Fresh water line: Soft warm water 0-3°dH
Alternating current: 1N PE 230V 50Hz

Technical data

Rack capacity/h (theoretical)
Programme cycle
Rack dimension
Entry height
Dimensions (W x Hmin x D)

40 / 30 / 20 racks/h
90 / 120 / 180 s
500 x 500 mm
315 mm
600 x 700 x 600 mm

Electrical feeding cable

Alternating current 1N PE 230V 50Hz*
Total connected load: 2.9 kW
max. rated current: 15.7 A

Local fuse protection
Machine protection class

16 A
IP X5

Equipment

Control system MIKE CPU4
Bluetooth interface for wireless communication
Leakage detector
Boiler safety device
Automatic self-cleaning when tank is drained

Fresh water line

Air gap 'AB' in accordance with EN 1717 with booster pump

Fresh water supply

Minimum flow pressure 60 kPa / 0.6 bar in front of solenoid valve
Maximum pressure: 500 kPa / 5.0 bar
Max. supply water temperature 60 °C

Flow rate

3 l/min

Final rinse water quantity

2.4 liters/cycle, variable

Boiler

Contents: 7.9 l
Heater: 2.00 kW
Temperature: 65 °C
Tank / boiler locked

Wash tank

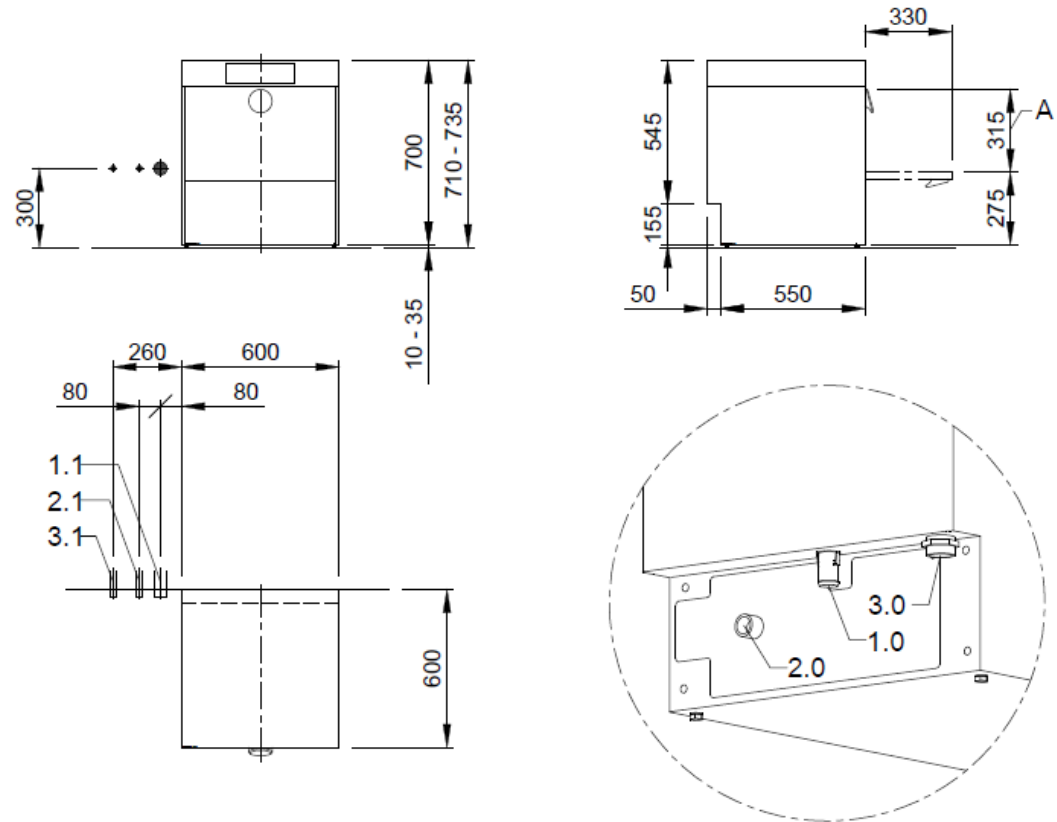
Filling: 11.0 l
Heater: 2.00 kW
Temperature: 60 °C




Wash pump, with frequency converter	Performance: 0.50 kW
Dosing of rinse aid	Hose pump (24 V) with time control and suction lance
Detergent dosage	Hose pump (24 V) with time control and suction lance
Material	Cladding: 1.4301 Wash tank: 1.4301 Boiler: 1.4571
Heat emission	for 20 programme cycles/h total: 2.1 kW perceptible: 1.4 kW latent: 0.7 kW
Ventilation flow rate	540 m ³ /h
Steam emission	1.0 kg/h
Emission sound pressure level at the workplace (LpA)	60 dB
Net / gross weight	63.0 kg / 74.8 kg (standard packaging)
Packaging dimensions (W x H x D)	700 x 1050 x 700 mm (standard packaging)

*Note:
Electrical equipment suitable for supply voltage:
3N PE 400 V 50 HZ (3N PE 380-415 V 50 Hz)
1N PE 230 V 50 HZ (1N PE 220-240 V 50 Hz)

1.0	machine connection: drain connection hose, DN 22 hose fitted as odour trap in interior of machine
1.1	drain (max. 700 mm above finished floor level), DN 50
2.0	Machine connection: fresh water supply, G 3/4"
2.1	Soft warm water 45-60°, DN 15, G 3/4 a max. 0,54 mmol/l CaCO ₃ (max. 3°dH) Flow rate: 3 l/min Minimum flow pressure: 60 kPa / 0.6 bar in front of solenoid valve Maximum pressure: 500 kPa / 5.0 bar stopcock and fine screen ≤ 25 µm
3.0	Machine connection: electrical connection cable 3G 2,5 mm ²
3.1	electricity supply to the machine: 1N PE 230V ~ 50Hz nominal current / - capacity: 15.7 A / 2.9 kW Fuse protection: 16 A ⚡ Voltage equalising cable The master switch must be provided on site Note: Electrical equipment suitable for supply voltage: 3N PE 380-415 V 50 Hz / 1N PE 220-240 V 50 Hz
6.0	Heat load of warewash area
6.1	for 20 programme cycles/h total 2.1 kW, perceptible 1.4 kW, latent 0.7 kW
all cables, pipes etc leaving machine 1,6 m	
the position of the connection piping can also be mirror-inverted!	
Machine Equipment	
(A) Entry height	
Final rinse dosing unit with suction lance (blue connector)	
Detergent dosing unit and suction lance	



 <p>MEIKO MIDDLE EAST FZE GoldDiamond Park, Building#6, office #206 P.O. Box 282365, U.A.E.-Dubai Phone +971 43 41 51 72 E-MAIL: wat@meiko.de</p> <p>This drawing may not be neither passed to third parties for their information or copied or used for competitive purposes without our consent. All rights reserved. We reserve the right to make changes resulting from technical progress. This drawing was computer generated and is not subject to the checking and any release process; it is also not subject to change management. Please note: This document is only valid in conjunction with the conditions defined in Supplementary Sheet "Important Information". These can be requested from the manufacturer or downloaded from the Partnermet.</p>	Revision			Reference	Type	
				DISHWASHER STANDARD DRAWING / ARE	M-ICLEAN UM	
				TYPE: GLASSES	Order-No.	
				Drawing-No. S00079098	checked: 15.04.2020 m-iplan	
	Scale	drawn:				
	1:25	15.04.2020 m-iplan				

MP000404612.2.2
©COPYRIGHT by MEIKO

ARE EN

©COPYRIGHT by MEIKO