

## M-iClean UL – Undercounter Potwasher

A new generation of appliances that are designed to appeal to all our senses, created from an affinity for technology, efficiency, eco-friendliness and beautiful design. Dishwashing has never been so cost-effective, so environmentally-friendly and so attractive to the eye.

### Execution for: United Arab Emirates

#### Utensil washer

Fresh water line: Soft warm water 0-3°dH  
3-phase current: 3N PE 400V 50Hz



## Technical data

### Rack capacity/h (theoretical)

40 / 30 / 15 racks/h

### Programme cycle

90 / 120 / 240 s

### Rack dimension

500 x 600 (500) mm

### Entry height

435 mm

### Dimensions (W x Hmin x D)

600 x 820 x 680 mm

### Electrical feeding cable

3-phase current 3N PE 400V 50Hz\*  
Total connected load: 6.9 kW  
max. rated current: 15.7 A

### Local fuse protection

16 A

### Machine protection class

IP X5

### Equipment

Control system MIKE CPU4  
Bluetooth interface for wireless communication  
Leakage detector  
Boiler safety device  
Automatic self-cleaning when tank is drained

### Fresh water line

Air gap 'AB' in accordance with EN 1717 with booster pump

### Fresh water supply

Minimum flow pressure 60 kPa / 0.6 bar in front of solenoid valve  
Maximum pressure: 500 kPa / 5.0 bar  
Max. supply water temperature 60 °C

### Flow rate

3 l/min

### Final rinse water quantity

2.8 liters/cycle, variable

### Boiler

Contents: 7.9 l  
Heater: 6.00 kW  
Temperature: 83 °C  
Tank / boiler locked

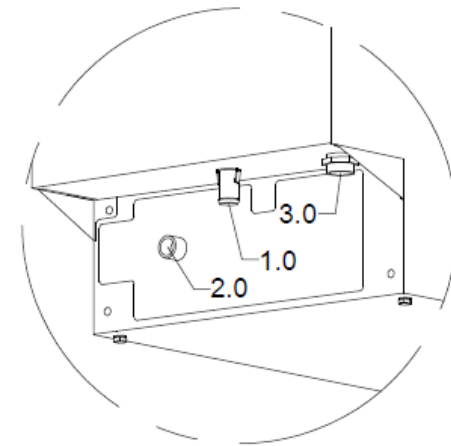
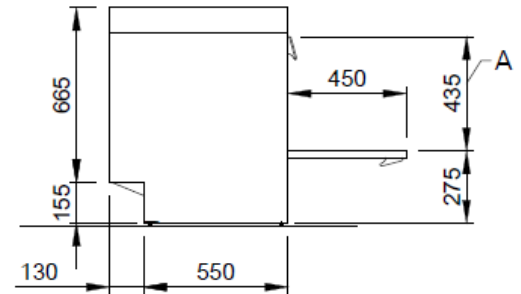
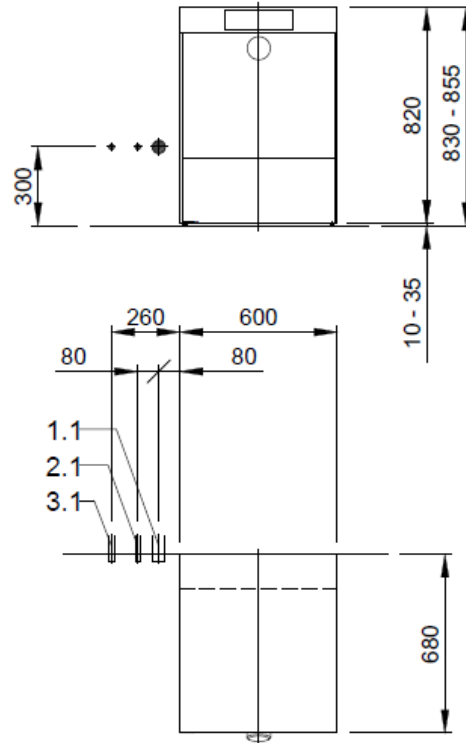
### Wash tank


Filling: 11.0 l  
Heater: 2.00 kW  
Temperature: 60 °C

<b>Wash pump, with frequency converter</b>	Performance: 0.50 kW
<b>Dosing of rinse aid</b>	Hose pump (24 V) with time control and suction lance
<b>Detergent dosage</b>	Hose pump (24 V) with time control and suction lance
<b>Material</b>	Cladding: 1.4301 Wash tank: 1.4301 Boiler: 1.4571
<b>Heat emission</b>	for 20 programme cycles/h total: 2.1 kW perceptible: 1.4 kW latent: 0.7 kW
<b>Ventilation flow rate</b>	540 m <sup>3</sup> /h
<b>Steam emission</b>	1.0 kg/h
<b>Emission sound pressure level at the workplace (LpA)</b>	62 dB
<b>Packaging dimensions (W x H x D)</b>	700 x 1050 x 770 mm (standard packaging)

\*Note:  
Electrical equipment suitable for supply voltage:  
3N PE 400 V 50 HZ (3N PE 380-415 V 50 Hz)  
1N PE 230 V 50 HZ (1N PE 220-240 V 50 Hz)

1.0	machine connection: drain connection hose, DN 22 hose fitted as odour trap in interior of machine
1.1	drain (max. 700 mm above finished floor level), DN 50
2.0	Machine connection: fresh water supply, G 3/4"
2.1	Soft warm water 45-60°, DN 15, G 3/4 a max. 0,54 mmol/l CaCO <sub>3</sub> (max. 3°dH) Flow rate: 3 l/min Minimum flow pressure: 60 kPa / 0.6 bar in front of solenoid valve Maximum pressure: 500 kPa / 5.0 bar stopcock and fine screen ≤ 25 µm
3.0	Machine connection: electrical connection cable 5G 2,5mm <sup>2</sup>
3.1	electricity supply to the machine: 3N PE 400V ~ 50Hz nominal current / - capacity: 15.7 A / 6.9 kW Fuse protection: 16 A ⚡ Voltage equalising cable The master switch must be provided on site Note: Electrical equipment suitable for supply voltage: 3N PE 380-415 V 50 Hz / 1N PE 220-240 V 50 Hz
6.0	Heat load of warewash area
6.1	for 20 programme cycles/h total 2.1 kW, perceptible 1.4 kW, latent 0.7 kW
all cables, pipes etc leaving machine 1,6 m	
the position of the connection piping can also be mirror-inverted!	
<b>Machine Equipment</b>	
(A) Entry height	
Final rinse dosing unit with suction lance (blue connector)	
Detergent dosing unit and suction lance	



 <p>MEIKO MIDDLE EAST FZE GoldDiamond Park, Building#6, office #206 P.O. Box 282365, U.A.E.-Dubai Phone +971 43 41 51 72 E-MAIL: wat@meiko.de</p> <p>This drawing may not be neither passed to third parties for their information or copied or used for competitive purposes without our consent. All rights reserved. We reserve the right to make changes resulting from technical progress. This drawing was computer generated and is not subject to the checking and any release process, it is also not subject to change management. Please note: This document is only valid in conjunction with the conditions defined in Supplementary Sheet "Important Information". These can be requested from the manufacturer or downloaded from the Partnet.</p>	Revision		
	Reference	DISHWASHER STANDARD DRAWING / ARE	
	Type	M-ICLEAN UL	
	TYPE: UNIVERSAL		
Drawing-No.	S00080599	Order-No.	
Scale	1:25	drawn:	12.05.2020 m-iplan
		checked:	12.05.2020 m-iplan

MP000409790.2.4

©COPYRIGHT by MEIKO

ARE

EN

©COPYRIGHT by MEIKO