

M-iClean UL – Undercounter Potwasher

A new generation of appliances that are designed to appeal to all our senses, created from an affinity for technology, efficiency, eco-friendliness and beautiful design. Dishwashing has never been so cost-effective, so environmentally-friendly and so attractive to the eye.

Execution for: United Arab Emirates

Utensil washer

Fresh water line: Soft warm water 0-3°dH

3-phase current: 3N PE 400V 50Hz

Thermolabel



Technical data

Rack capacity/h (theoretical)

40 / 30 / 15 racks/h

Programme cycle

90 / 120 / 240 s

Rack dimension

500 x 600 (500) mm

Entry height

435 mm

Dimensions (W x Hmin x D)

600 x 820 x 680 mm

Electrical feeding cable

3-phase current 3N PE 400V 50Hz*

Total connected load: 11.4 kW

max. rated current: 19.6 A

Local fuse protection

25 A

Machine protection class

IP X5

Equipment

Control system MIKE CPU4

Bluetooth interface for wireless communication

Leakage detector

Boiler safety device

Automatic self-cleaning when tank is drained

Thermolabel

Fresh water line

Air gap 'AB' in accordance with EN 1717 with booster pump

Fresh water supply

Minimum flow pressure 60 kPa / 0.6 bar in front of solenoid valve

Maximum pressure: 500 kPa / 5.0 bar

Max. supply water temperature 60 °C

Flow rate

3 l/min

Final rinse water quantity

2.8 liters/cycle, variable

Boiler

Contents: 7.9 l

Heater: 6.00 kW

Temperature: 83 °C

Wash tank

Filling: 11.0 l

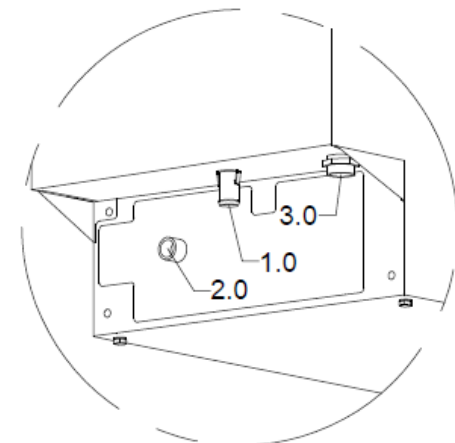
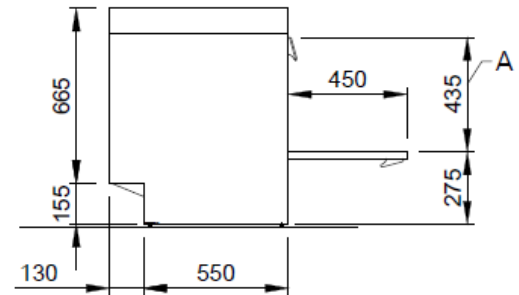
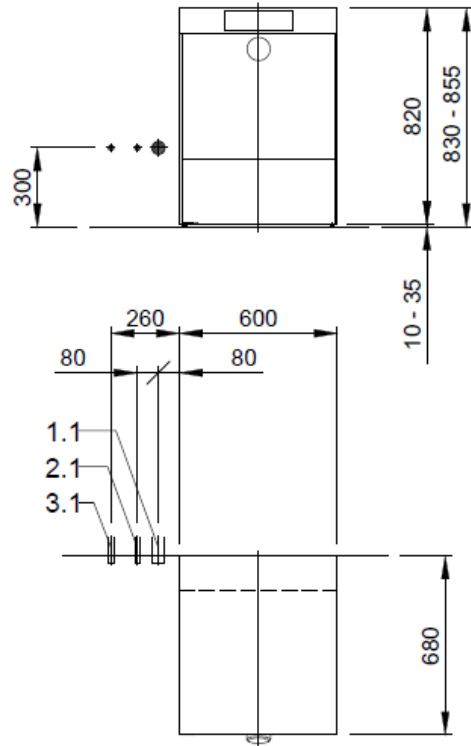
Heater: 4.50 kW

Temperature: 74 °C


Wash pump, with frequency converter	Performance: 0.50 kW
Dosing of rinse aid	Hose pump (24 V) with time control and suction lance
Detergent dosage	Hose pump (24 V) with time control and suction lance
Material	Cladding: 1.4301 Wash tank: 1.4301 Boiler: 1.4571
Heat emission	for 20 programme cycles/h total: 2.1 kW perceptible: 1.4 kW latent: 0.7 kW
Ventilation flow rate	540 m ³ /h
Steam emission	1.0 kg/h
Emission sound pressure level at the workplace (LpA)	62 dB
Packaging dimensions (W x H x D)	700 x 1050 x 770 mm (standard packaging)

*Note:
Electrical equipment suitable for supply voltage:
3N PE 400 V 50 HZ (3N PE 380-415 V 50 Hz)
1N PE 230 V 50 HZ (1N PE 220-240 V 50 Hz)

1.0	machine connection: drain connection hose, DN 22 hose fitted as odour trap in interior of machine
1.1	drain (max. 700 mm above finished floor level), DN 50
2.0	Machine connection: fresh water supply, G 3/4"
2.1	Soft warm water 45-60°, DN 15, G 3/4 a max. 0,54 mmol/l CaCO ₂ (max. 3°dH) Flow rate: 3 l/min Minimum flow pressure: 60 kPa / 0.6 bar in front of solenoid valve Maximum pressure: 500 kPa / 5.0 bar stopcock and fine screen ≤ 25 µm
3.0	Machine connection: electrical connection cable 5G 4mm ²
3.1	electricity supply to the machine: 3N PE 400V ~ 50Hz nominal current / - capacity: 19.6 A / 11.4 kW Fuse protection: 25 A ⊕ Voltage equalising cable The master switch must be provided on site Note: Electrical equipment suitable for supply voltage: 3N PE 380-415 V 50 Hz / 1N PE 220-240 V 50 Hz
6.0	Heat load of warewash area
6.1	for 10 programme cycles/h total 1.1 kW, perceptible 0.7 kW, latent 0.4 kW
all cables, pipes etc leaving machine 1,6 m	
the position of the connection piping can also be mirror-inverted!	
Machine Equipment	
(A) Entry height	
Final rinse dosing unit with suction lance (blue connector)	
Detergent dosing unit and suction lance	
Thermolabel	



MP000409791.2.4
©COPYRIGHT by MEIKO

 <p>MEIKO MIDDLE EAST FZE GoldDiamond Park, Building#6, office #206 P.O. Box 282365, U.A.E.-Dubai Phone +971 43 41 51 72 E-MAIL: wat@meiko.de</p> <p>This drawing may not be neither passed to third parties for their information or copied or used for competitive purposes without our consent. All rights reserved. We reserve the right to make changes resulting from technical progress. This drawing was computer generated and is not subject to the checking and any release process; it is also not subject to change management. Please note: This document is only valid in conjunction with the conditions defined in Supplementary Sheet "Important Information". These can be requested from the manufacturer or downloaded from the Partnetmet.</p>	Revision		
	Reference	DISHWASHER STANDARD DRAWING / ARE	
	Type	M-ICLEAN UL	
	TYPE: UNIVERSAL	THERMOLABEL	
Drawing-No.	S00080600		Order-No.
Scale	drawn:	checked:	
1:25	12.05.2020	m-iplan	12.05.2020
ARE	EN	©COPYRIGHT by MEIKO	