

## M-iClean HM – Hood type dishwasher

A new generation of appliances that are designed for outstanding ergonomics, improved warewashing performance, better quality indoor air, and sparkling results with every wash.

### Key Features:

- Reliable hood mechanism
- New drying table
- Pipes made from stainless steel – robust and durable
- Flexible features at no extra cost:
  - Option to adjust height and mount on plinth
  - Easy to adjust / convert the electric power
  - Control panel can be mounted on either side of the machine.

### Key Benefits:

- Makes dishwashing significantly quicker
- Dries washware much faster
- Gets tableware back in use sooner
- Reduces staff and running costs
- Improves staff absence rates
- Optimizes workplace assessments



### Execution for: United Arab Emirates

#### Dishwashing machine

Fresh water line: Soft cold water 0-3 °dH

3-phase current: 3N PE 400V 50Hz

GiO MODULE (integrated) M2

## Technical data

<b>Rack capacity/h (theoretical)</b>	60 / 40 / 17 racks/h
<b>Programme cycle time</b>	60 / 90 / 210 s
<b>Rack dimension</b>	500 x 500 mm (540 x 500 mm)
<b>Entry height</b>	505 mm
<b>Dimensions (W x Hmin x D)</b>	635 ( 725) x 1520 x 750 (800) mm (with handles)
<b>Electrical feeding cable</b>	3-phase current 3N PE 400V 50Hz* Total connected load: 9.2 kW max. rated current: 17.4 A
<b>Local fuse protection</b>	20 A
<b>Protection class of the machine</b>	IP X5
<b>Equipment</b>	Control system MIKE CPU4 Bluetooth interface for wireless communication Leakage detector Boiler safety device Automatic self-cleaning when tank is drained Drain pump Back wall cladding Automatic hood system Automatic basket detection

	Integrated reverse osmosis (including 10 µm filter with activated carbon) GiO pre-filter on the right-hand side of the machine
<b>Fresh water line</b>	Air gap 'AB' in accordance with EN 1717 with booster pump
<b>Fresh water supply</b>	Minimum flow pressure 100 kPa / 1.0 bar in front of solenoid valve Maximum pressure 500 kPa / 5.0 bar in front of pressure reducer Max. supply water temperature 35 °C
<b>Flow rate</b>	total 6.8 l/min (at 15 °C inlet temperature) Permeate 3.0 l/min Concentrate 3.8 l/min
<b>Fresh water thresholds</b>	Temperature cold water min. 1 °C to max. 35 °C electrical conductivity 70 - 1000 µS/cm Total hardness max. 28 dH / 5 mmol/l CaCO <sub>3</sub> Free of particles > 10 µm Iron < 0.10 mg/l Manganese < 0.04 mg/l Chlorine < 0.10 mg/l (free chlorine) Potassium permanganate < 10 mg/l Silicic acid < 10 mg/l
<b>Final rinse water quantity</b>	2.4 liters/cycle, variable
<b>Boiler</b>	Contents: 10.5 l Heater: 8.00 kW Temperature: 83 °C Tank / boiler locked
<b>Wash tank</b>	Filling: 22.0 l Heater: 4.00 kW Temperature: 60 °C
<b>Wash pump</b>	Performance: 0.75 Kw
<b>Dosing of rinse aid</b>	Hose pump (24 V) with time control and suction lance
<b>Detergent dosage</b>	Hose pump (24 V) with time control and suction lance
<b>Material</b>	Cladding: 1.4301 Wash tank: 1.4301 Boiler: 1.4571
<b>Heat emission</b>	for 25 programme cycles/h total: 2.7 kW perceptible: 1.8 kW latent: 0.9 kW

MEIKO MIDDLE EAST FZE  
Emaar Gold & Diamond Park, Building 6, Office 207  
Sheikh Sayed Road  
P. O. Box 282365 Dubai UAE  
Tel: +971-341-5172 / Fax: +971-4-3415173  
www.meiko.ae



<b>Ventilation flow rate</b>	680 m <sup>3</sup> /h
<b>Steam emission</b>	1.3 kg/h
<b>Emission sound pressure level at the workplace (LpA)</b>	63 dB
<b>Net / gross weight</b>	180.0 kg / 210.0 kg (standard packaging)
<b>Packaging dimensions (W x H x D)</b>	800 x 1950 x 1000 mm (standard packaging)

\*Note:  
Electrical equipment suitable for supply voltage:  
3N PE 400 V 50 HZ (3N PE 380-415 V 50 Hz)

1.0	machine connection: drain connection hose, DN 22 hose fitted as odour trap in interior of machine
1.1	drain (max. 700 mm above finished floor level), DN 50
2.0	Machine connection: fresh water supply, G 3/4"
2.2	Soft cold water 10°C, DN 15, G 3/4 a max. 0,54 mmol/l CaCO <sub>3</sub> (max. 3°dH) Flow rate: min. 8.0 l/min electrical conductivity 70 - 1000 µS/cm Minimum flow pressure: 100 kPa / 1.0 bar in front of solenoid valve Maximum pressure: 500 kPa / 5.0 bar in front of pressure reducer stopcock and fine screen ≤ 25 µm
3.0	Machine connection: electrical connection cable 5G 6mm <sup>2</sup>
3.1	electricity supply to the machine: 3N PE 400V ~ 50Hz nominal current / - capacity: 17.4 A / 9.2 kW Fuse protection: 20 A ⚡ Voltage equalising cable The master switch must be provided on site Note: Electrical equipment suitable for supply voltage: 3N PE 380-415 V 50 Hz / 1N PE 220-240 V 50 Hz
6.0	Heat load of warewash area The values apply for the following room conditions: Room temperature 22 °C, rel. humidity 55 % ☒ Recommended suction area according to German EN 16282 or any local regulations have to be observed to determine ventilation of wash areas The total heat load includes 6.1
6.1	Heat load of the machine in normal washing operation: for 25 programme cycles/h total 2.7 kW, perceptible 1.8 kW, latent 0.9 kW
	For the total space load, all other space loads must be considered. The space ventilation must be designed in accordance with EN 16282.

all cables, pipes etc leaving machine 1,8 m

the position of the connection piping can also be mirror-inverted!

Height adjustable: machine feet +/- 30 mm, MEIKO table feet +/- 15 mm

**Machine Equipment**

(A) Entry height

(D) Rinse agent pipe and suction lance

(E) Detergent dosing unit with suction lance

Automatic hood system

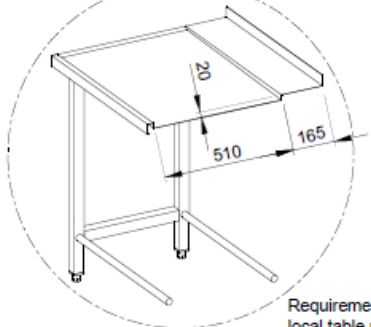
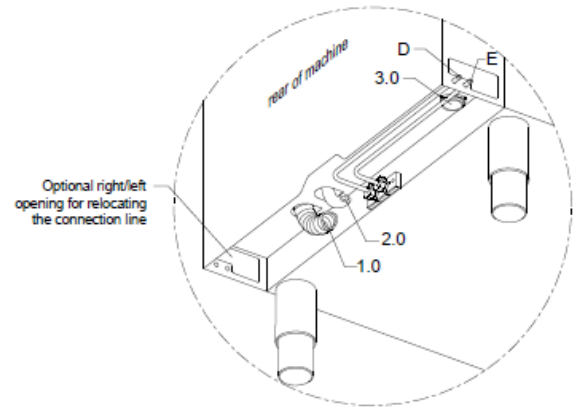
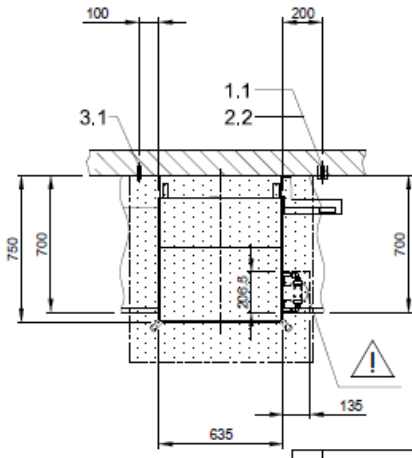
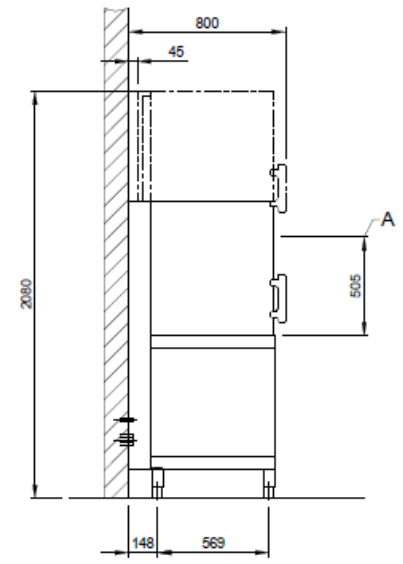
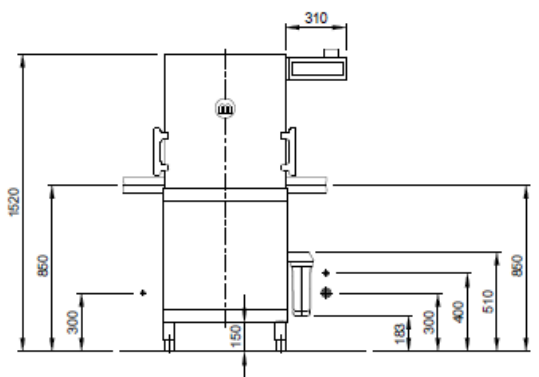
Feeding table on site

Discharge table on site

GiO MODULE (integrated) M2

GiO pre-filter on the right-hand side of the machine

⚠ Please observe the installation indications of the additional document MP\_T-INFO-GiO\_M2\_M-iClean-H\_EN.pdf



Requirement for local table profile

<p>MEIKO MIDDLE EAST FZE GoldDiamond Park, Building#6, office #206 P.O. Box 282365, U.A.E.-Dubai Phone +971 43 41 51 72 E-MAIL: wat@meiko.de</p> <p><small>This drawing may not be neither passed to third parties for their information or copied or used for competitive purposes without our consent. All rights reserved. We reserve the right to make changes resulting from technical progress. This drawing was computer generated and is not subject to the checking and any release process, it is also not subject to change management. Please note: This document is only valid in conjunction with the conditions defined in Supplementary Sheet "Important information". These can be requested from the manufacturer or downloaded from the Partnernet.</small></p>	Revision	Reference	Type
		DISHWASHER STANDARD DRAWING / ARE	M-ICLEAN HM M2 GiO MODULE, INTEGRATED
	TYPE: CROCKERY	Drawing-No. S00082377	Order-No.
	Scale 1:25	drawn: 09.06.2020	checked: 09.06.2020
	m-iplan	m-iplan	
ARE	EN		©COPYRIGHT by MEIKO