

## UPster U 500 – Undercounter glass and dishwasher

MEIKO's UPster U range of undercounter dishwashers pulls out all the stops when it comes to professional warewashing technology, offering efficient cleaning performance, easy operation, maximum flexibility, and exceptional value for money. It's the perfect choice for your wash-up area. Simply pop it in place, connect it up, and you're ready to go!

**Execution for: United Arab Emirates**  
**Country of production: China**

### Glass and dishwasher with Drain Pump

Fresh water line: Soft warm water 0-3°dH  
3-phase current: 3N PE 400V 50Hz

## Technical data

<b>Rack capacity/h (theoretical)</b>	30 / 20 / 15 racks/h
<b>Programme cycle</b>	120 / 180 / 240 s (glass / dish / dish intensive)
<b>Rack dimension</b>	500 x 500 mm (530 x 500)
<b>Entry height</b>	320 mm
<b>Dimensions (W x Hmin x D)</b>	600 x 820 x 600 mm
<b>Electrical feeding cable</b>	3-phase current 3N PE 400V 50Hz* Total connected load: 5.3 kW max. rated current: 13.4 A
<b>Local fuse protection</b>	16 A
<b>Machine protection class</b>	IP X4
<b>Equipment</b>	MIKE control Infrared interface for wireless communication Soft start Drain pump Boiler safety device Automatic self-cleaning when tank is drained
<b>Fresh water supply</b>	Minimum flow pressure 250 kPa / 2.5 bar in front of solenoid valve Maximum pressure 500 kPa / 5.0 bar Max. supply water temperature 60 °C
<b>Flow rate</b>	min. 0.3 l/s at 250 kPa/2.5 bar flow pressure
<b>Final rinse water quantity</b>	3 liters/cycle
<b>Boiler</b>	Contents: 8 l Heater: 4.50 kW Temperature: 65 °C, with dish wash programme 83 °C Tank / boiler locked
<b>Wash tank</b>	Filling: 20 l Heater: 2.00 kW Temperature: 60 °C



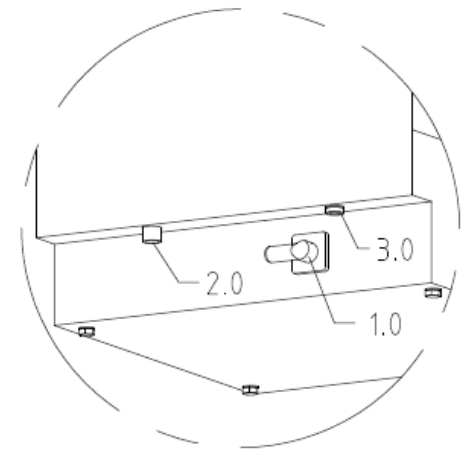
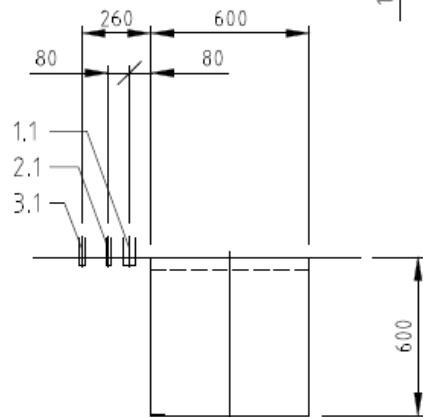
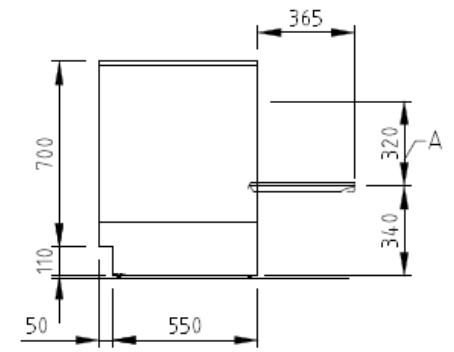
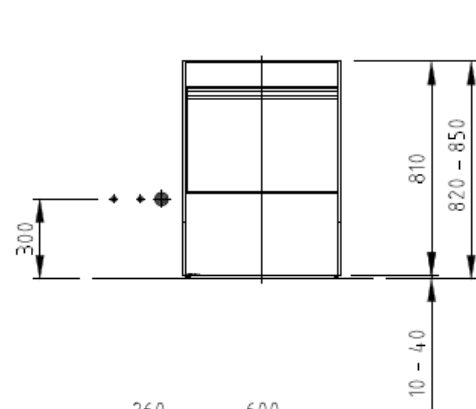
<b>Wash pump</b>	Performance: 0.55 kW
<b>Dosing of rinse aid</b>	Potential free terminals (changeable to 230V) for local dosing system
<b>Detergent dosage</b>	Potential free terminals (changeable to 230V) for local dosing system
<b>Material</b>	Cladding: 1.4301 Wash tank: 1.4301 Boiler: 1.4404
<b>Heat emission</b>	for 15 programme cycles/h total: 1.6 kW perceptible: 1.0 kW latent: 0.6 kW
<b>Ventilation flow rate</b>	400 m <sup>3</sup> /h
<b>Steam emission</b>	0.7 kg/h
<b>Emission sound pressure level at the workplace (LpA)</b>	61 dB
<b>Net / gross weight</b>	54.0 kg / 66.0 kg (standard packaging)
<b>Packaging dimensions (W x H x D)</b>	700 x 1050 x 700 mm (standard packaging)

**\*Note:**


Electrical equipment suitable for supply voltage:  
3N PE 400 V 50 HZ (3N PE 380-415 V 50 Hz)  
1N PE 230 V 50 HZ (1N PE 220-240 V 50 Hz)

\* Programme cycle time depending on temperature of feeding water:  
Prolongation of wash cycle with cold water connection or single phase execution;  
For machine with single phase connection, warm water connection is recommended.

1.0	machine connection: Drain line hose fitted as odour trap in interior of machine	DN 22
1.1	drain (max. 700 mm above of the floor level)	DN 50
2.0	machine connection: fresh water line	G 3/4"
2.1	soft warm water 45 - 60°C	DN 20
	max. 0,54 mmol/l CaCO <sub>3</sub> / 53,4 ppm/CaCO <sub>3</sub> /max.3°GHl approx. water flow rate 0,3 l/s min. flow pressure: 250 kPa / 2,5 bar upstream of the solenoid valve, maximum pressure: 500 kPa / 5 bar stopcock and fine screen ≤ 25 µm	G 3/4 a
3.0	machine connection: electricity connecting cable	5G 2,5mm <sup>2</sup>
3.1	electricity supply to the machine	3N PE 400V ~ 50Hz
	nominal current / - capacity	13,4 A 5,3 kW
	⊕ Voltage equalising cable	Fuse protection: 16 A
Electrical equipment suitable for supply voltage: 3N PE 380-415 V 50 Hz / 1N PE 220-240 V 50 Hz		
heat load of the wash room in case of 15 program cycles /h		total ca.1,6 kW perceptible ca.1,0 kW latent ca.0,6 kW
all cables, pipes etc leaving machine		1,6 m
the position of the connection piping can also be mirror-inverted		
Machine Equipment		
(A) Entry height		
Potential free terminals (changeable to 230V) for local dosingsystem		
Drain pump		



MP0004.10976.16  
© COPYRIGHT by MEIKO

 <b>MEIKO MIDDLE EAST FZE</b> GoldDiamond Park, Building#6, office #206 P.O. Box 282365, U.A.E.-Dubai Phone +971 43 41 51 72 E-MAIL: wat@meiko.de		Revision		Type	
		Reference <b>DISHWASHER STANDARD DRAWING / ARE</b>		UPSTER U 500	
This drawing may not be neither passed to third parties for their information or copied or used for competitive purposes without our consent. All rights reserved. We reserve the right to make changes resulting from technical progress. This drawing was computer generated and is not subject to the checking and any release process. It is also not subject to change management. <b>Please note:</b> This document is only valid in conjunction with the conditions defined in Supplementary Sheet "Important Information". These can be requested from the manufacturer or downloaded from the Partnernet.		Drawing-No. <b>S00080956</b>		Order-No.	
		Scale 1:25	drawn: 17.05.2020 m-iplan	checked: 17.05.2020 m-iplan	
ARE		EN		© COPYRIGHT by MEIKO	