

## UPster H 500 – Hood type dishwasher

MEIKO UPster delivers the warewashing technology for a new generation. State-of-the-art technology at a price that start-ups can afford. And the beauty of UPster is that you just connect it up and you're ready to go! Couldn't be easier!

**Execution for: United Arab Emirates**  
**Country of production: China**

**Hood type dishwashing machine with Thermolabel**  
Fresh water line: Soft warm water 0-3°dH  
3-phase current: 3N PE 400V 50Hz

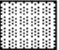


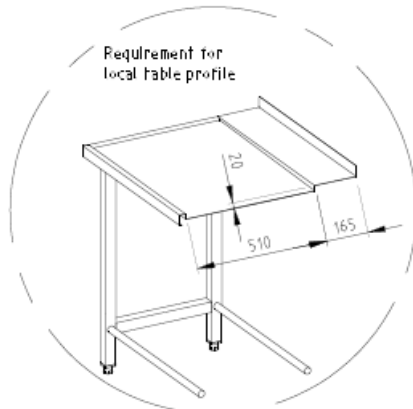
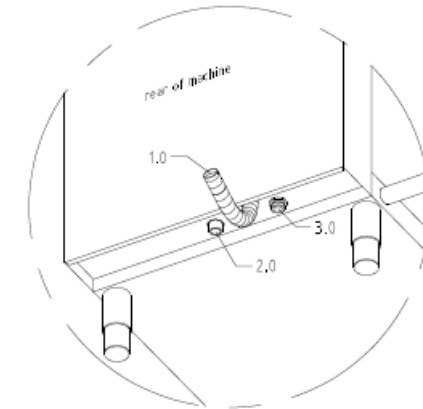
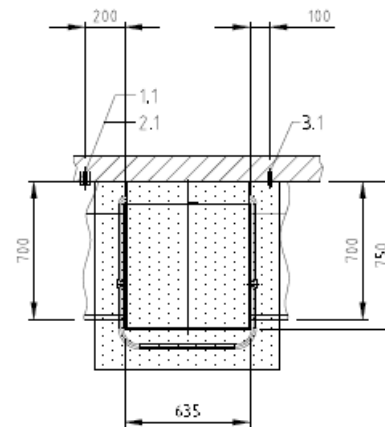
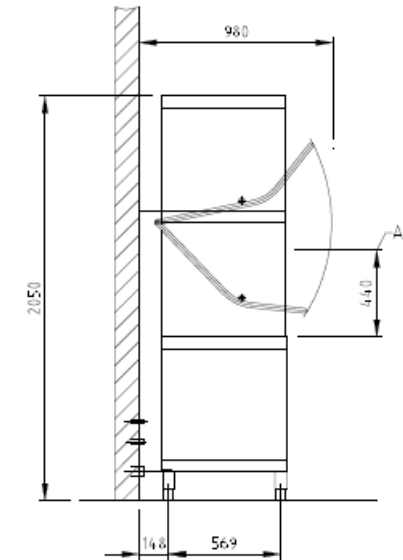
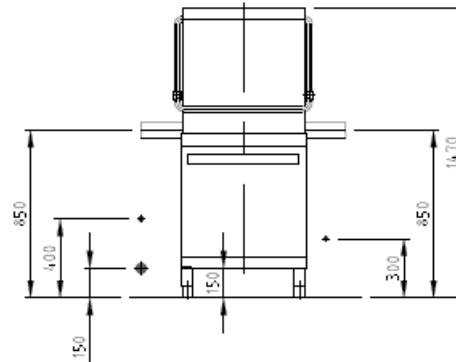
## Technical data


<b>Rack capacity/h (theoretical)</b>	60 / 40 / 17 racks/h
<b>Programme cycle</b>	60 / 90 / 210 s
<b>Rack dimension</b>	500 x 500 mm (540 x 500)
<b>Entry height</b>	440 mm
<b>Dimensions (W x Hmin x D)</b>	635 ( 687) x 1470 x 750 (850) mm (with hood rod)
<b>Electrical feeding cable</b>	3-phase current 3N PE 400V 50Hz* Total connected load: 13.9 kW max. rated current: 21.7 A
<b>Local fuse protection</b>	25 A
<b>Machine protection class</b>	IP X4
<b>Equipment</b>	Automatic program start MIKE control Infrared interface for wireless communication Boiler safety device Automatic self-cleaning when tank is drained Thermolabel
<b>Fresh water supply</b>	Minimum flow pressure 250 kPa / 2.5 bar in front of solenoid valve Maximum pressure: 500 kPa / 5.0 bar Max. supply water temperature 60 °C
<b>Flow rate</b>	min. 0.3 l/s at 250 kPa/2.5 bar flow pressure
<b>Final rinse water quantity</b>	3 liters/cycle
<b>Boiler</b>	Contents: 9 l Heater: 9.00 kW Temperature: 83 °C

<b>Wash tank</b>	Filling: 22 l Heater: 4.00 kW Temperature: 74 °C
<b>Wash pump</b>	Performance: 0.75 kW
<b>Dosing of rinse aid</b>	Potential free terminals (changeable to 230V) for local dosing system
<b>Detergent dosage</b>	Potential free terminals (changeable to 230V) for local dosing system
<b>Material</b>	Cladding: 1.4301 Wash tank: 1.4301 Boiler: 1.4404
<b>Heat emission</b>	for 20 programme cycles/h total: 2.1 kW perceptible: 1.4 kW latent: 0.7 Kw
<b>Ventilation flow rate</b>	540 m <sup>3</sup> /h
<b>Steam emission</b>	1.0 kg/h
<b>Emission sound pressure level at the workplace (LpA)</b>	65 dB
<b>Net / gross weight</b>	98.0 kg / 130.0 kg (standard packaging)
<b>Packaging dimensions (W x H x D)</b>	730 x 1700 x 870 mm (standard packaging)

\*Note:  
Electrical equipment suitable for supply voltage:  
3N PE 400 V 50 HZ (3N PE 380-415 V 50 Hz)

1.0	machine connection: Drain line hose fitted as odour trap in interior of machine	DN 22
1.1	drain recommended height 150 mm, over 350 mm waste water pump required!	DN 50
2.0	machine connection: fresh water line	G 3/4"
2.1	soft warm water 45 – 60°C max. 0,54 mmol/l CaCO <sub>3</sub> / 58,4 ppm/CaCO <sub>3</sub> (max. 3°GH) approx. water flow rate 0,3 l/s min. flow pressure: 250 kPa / 2,5 bar upstream of the solenoid valve, maximum pressure: 500 kPa / 5 bar stopcock and fine screen ≤ 25 µm	DN 20
		G 3/4"
3.0	machine connection: electricity connecting cable	5G 4mm <sup>2</sup>
3.1	electricity supply to the machine	3N PE 400V ~ 50Hz
	nominal current / - capacity	21,7 A / 3,9 kW
	⚡ Voltage equalising cable	Fuse protection: 25 A
	Electrical equipment suitable for supply voltage: 3N PE 380-415 V 50 Hz / 1N PE 220-240 V 50 Hz	
heat load of the wash room in case of 20 program cycles / h	total	ca. 2,1 kW
	perceptible	ca. 1,4 kW
	latent	ca. 0,7 kW
all cables, pipes etc. leaving machine	1,6 m	
the position of the connection piping can also be mirror-inverted		
Machine Equipment		
(A) Entry height		
Potential free terminals (changeable to 230V) for local dosing system		
Thermolabel		
Feeding table on site		
Discharge table on site		
	Recommended suction area according to German VDI 2052 or any local regulations have to be observed to determine ventilation of wash areas	



 MEKO MIDDLE EAST FZE Gold Diamond Park, Building #6, office #206 P.O. Box 282345, U.A.E., Dubai Phone +971 43 41 57 73 E-MAIL: waf@meko.de		Facility Dishwasher STANDARD DRAWING / ARE	Type UPSTER H 500
This drawing may not be further passed to third parties for their information or copied or used for competitive purposes without our consent. All rights reserved. We reserve the right to make changes resulting from technical progress. This drawing was computer generated and is not subject to the checking and any release process. It is also not subject to change.		TYPE: CROCKERY Drawing no. S00080958	THERMOLABEL m-iplan
Scale 1:25	Date 17.05.2020	m-iplan	checked 17.05.2020
ARE		EN	