

UPster H 500 – Hood type dishwasher

MEIKO UPster delivers the warewashing technology for a new generation. State-of-the-art technology at a price that start-ups can afford. And the beauty of UPster is that you just connect it up and you're ready to go! Couldn't be easier!

Execution for: United Arab Emirates
Country of production: China

Hood type dishwashing machine with Airbox

Fresh water line: Soft warm water 0-3°dH
3-phase current: 3N PE 400V 50Hz

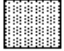


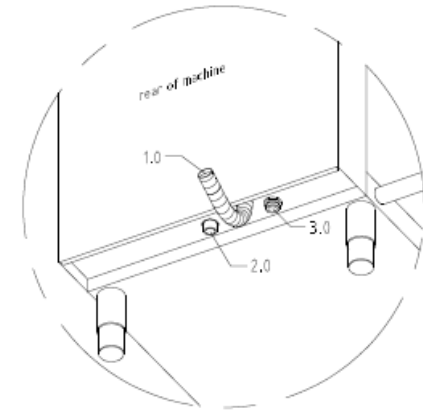
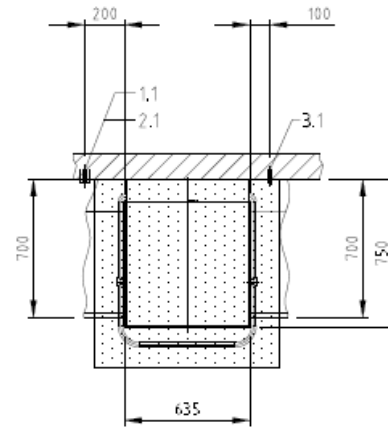
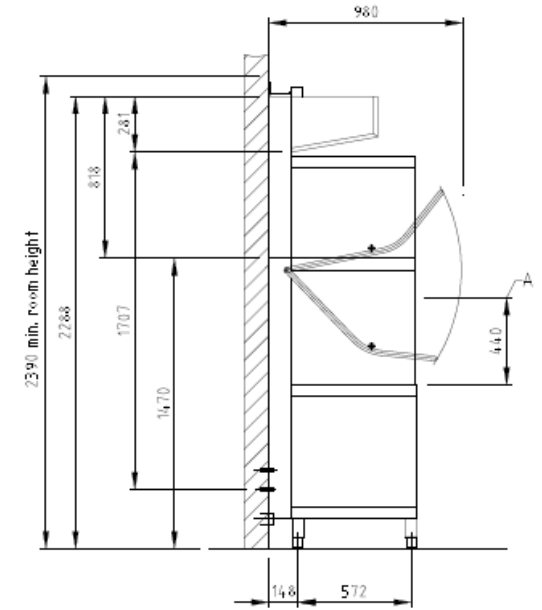
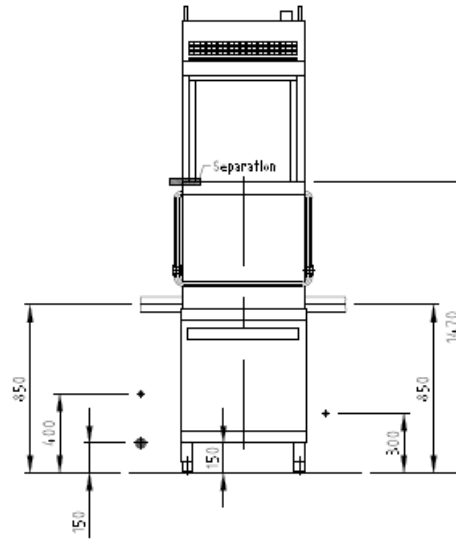
Technical data

Rack capacity/h (theoretical)	60 / 40 / 17 racks/h
Programme cycle	60 / 90 / 210 s
Rack dimension	500 x 500 mm (540 x 500)
Entry height	440 mm
Dimensions (W x Hmin x D)	635 (687) x 2288 x 750 (850) mm (with hood rod)
Electrical feeding cable	3-phase current 3N PE 400V 50Hz* Total connected load: 11.9 kW max. rated current: 21.7 A
Local fuse protection	25 A
Machine protection class	IP X4
Equipment	Automatic program start MIKE control Infrared interface for wireless communication Boiler safety device Automatic self-cleaning when tank is drained AirBox ActiveAir (vapour treatment)
Fresh water supply	Minimum flow pressure 250 kPa / 2.5 bar in front of solenoid valve Maximum pressure: 500 kPa / 5.0 bar Max. supply water temperature 60 °C
Flow rate	min. 0.3 l/s at 250 kPa/2.5 bar flow pressure
Final rinse water quantity	3 liters/cycle
Boiler	Contents: 9 l Heater: 9.00 kW Temperature: 83 °C

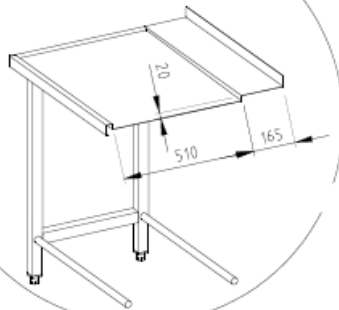
Wash tank	Filling: 22.0 l Heater: 2.00 kW Temperature: 60 °C
Wash pump	Performance: 0.75 kW
Dosing of rinse aid	Potential free terminals (changeable to 230V) for local dosing system
Detergent dosage	Potential free terminals (changeable to 230V) for local dosing system
Material	Cladding: 1.4301 Wash tank: 1.4301 Boiler: 1.4404
Heat emission	for 20 programme cycles/h total: 2.1 kW perceptible: 1.4 kW latent: 0.7 Kw
Ventilation flow rate	540 m ³ /h
Steam emission	1.0 kg/h
Emission sound pressure level at the workplace (LpA)	65 dB
Net / gross weight	124.0 kg / 148.0 kg (standard packaging)
Packaging dimensions (W x H x D)	730 x 2200 x 900 mm (standard packaging)


*Note:
Electrical equipment suitable for supply voltage:
3N PE 400 V 50 HZ (3N PE 380-415 V 50 Hz)

1.0	machine connection: Drain line hose fitted as odour trap in interior of machine	DN 22
1.1	drain (recommended height 150 mm, over 350 mm waste water pump required)	DN 50
2.0	machine connection: fresh water line	G 3/4"
2.1	soft warm water 45 – 60°C max. 0.54 mmol/l CaCO ₃ / 55.4 ppm / CaCO ₃ (max. 2°GH) approx. water flow rate 0.3 l/s min. flow pressure: 250 kPa / 2.5 bar upstream of the solenoid valve, maximum pressure: 500 kPa / 5 bar stopcock and fine screen ≤ 25 µm	DN 20
		G 3/4 a
3.0	machine connection: electricity connecting cable	5G 4mm ²
3.1	electricity supply to the machine	3N PE 400V ~ 50Hz
	nominal current / - capacity	21.7 A / 11.9 kW
	⚡ Voltage equalising cable	Fuse protection: 25 A
Electrical equipment suitable for supply voltage: 3N PE 380-415 V 50 Hz / 1N PE 220-240 V 50 Hz		
heat load of the wash room in case of P20 program cycles / h		total ca. 2.1 kW perceptible ca. 0.4 kW latent ca. 0.7 kW
all cables, pipes etc leaving machine 1.6 m		
the position of the connection piping can also be mirror-inverted		
Machine Equipment		
(A) Entry height		
Potential free terminals (changeable to 230V) for local dosingsystem		
AirBox ActiveAir (vapour treatment)		
Feeding table on site		
Discharge table on site		
	Recommended suction area according to German VDI 2052 or any local regulations have to be observed to determine ventilation of wash areas	



Requirement for
local table profile



 MIEKO MIDDLE EAST FZE Gold Diamond Park, Building #16, office #206 P.O. Box 282545, U.A.E.-Dubai Phone +971 43 415173 E-MAIL: waf@mieko.de		Building Dishwasher STANDARD DRAWING / ARE	Type UPSTER H 500
This drawing may not be further passed to third parties for their information or copied or used for other purposes without our consent. All rights reserved, we reserve the right to make changes resulting from technical progress. This drawing was computer generated and is not subject to the drafting and any release process. It is also not subject to change. Elektrische This document is only valid in combination with the conditions defined in supplementary sheet 'Important Information'. These can be requested from the manufacturer or downloaded from the Partnet.net.		TYPE: CROCKERY Drawing-no. S00080959	mkn-10
Scale 1:25	Date 17.05.2020	m-iplan	dwd-10 17.05.2020
ARE	EN		