

UPster H 500 – Hood type dishwasher

MEIKO UPster delivers the warewashing technology for a new generation. State-of-the-art technology at a price that start-ups can afford. And the beauty of UPster is that you just connect it up and you're ready to go! Couldn't be easier!

Execution for: Saudi Arabia
Country of production: China

Hood type dishwashing machine

Fresh water line: Soft warm water 0-3°dH
3-phase current: 3N PE 400V 60Hz



Technical data

Rack capacity/h (theoretical)

60 / 40 / 17 racks/h

Programme cycle

60 / 90 / 210 s

Rack dimension

500 x 500 mm (540 x 500)

Entry height

440 mm

Dimensions (W x Hmin x D)

635 (687) x 1470 x 750 (850) mm (with hood rod)

Electrical feeding cable

3-phase current 3N PE 400V 60Hz*

Total connected load: 11.9 kW

max. rated current: 21.7 A

Local fuse protection

25 A

Machine protection class

IP X4

Equipment

Automatic program start

MIKE control

Infrared interface for wireless communication

Boiler safety device

Automatic self-cleaning when tank is drained

Fresh water supply

Minimum flow pressure 250 kPa / 2.5 bar in front of solenoid valve

Maximum pressure: 500 kPa / 5.0 bar

Max. supply water temperature 60 °C

Flow rate

min. 0.3 l/s at 250 kPa/2.5 bar flow pressure

Final rinse water quantity

3 liters/cycle

Boiler

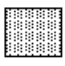
Contents: 9 l

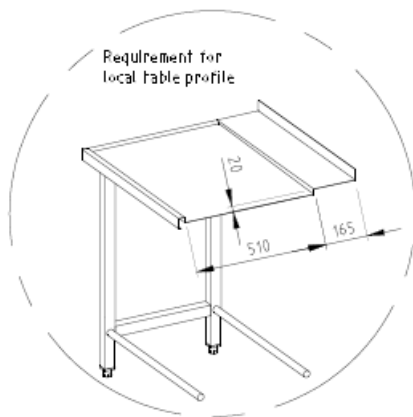
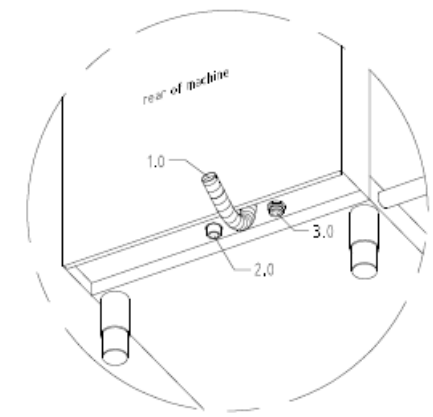
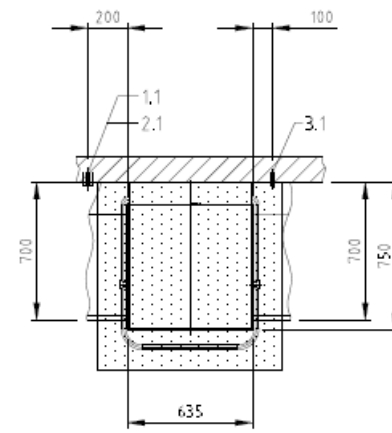
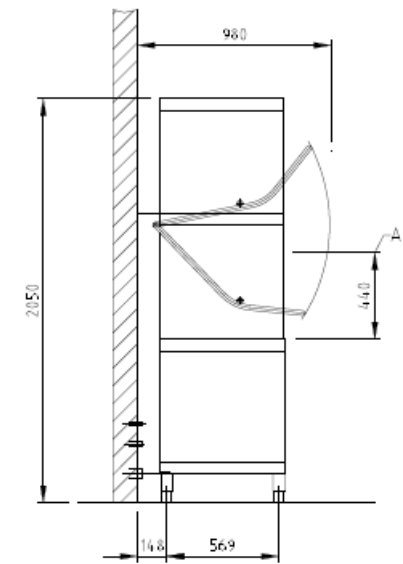
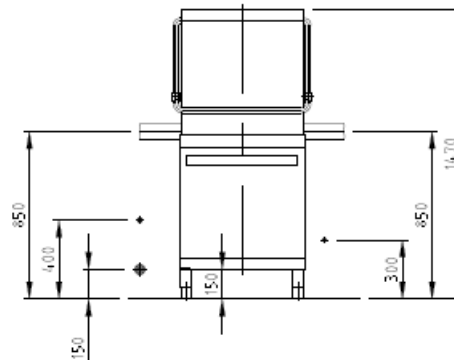
Heater: 9.00 kW


Temperature: 83 °C

Wash tank	Filling: 22.0 l Heater: 2.00 kW Temperature: 60 °C
Wash pump	Performance: 0.75 kW
Dosing of rinse aid	Potential free terminals (changeable to 230V) for local dosing system
Detergent dosage	Potential free terminals (changeable to 230V) for local dosing system
Material	Cladding: 1.4301 Wash tank: 1.4301 Boiler: 1.4404
Heat emission	for 20 programme cycles/h total: 2.1 kW perceptible: 1.4 kW latent: 0.7 Kw
Ventilation flow rate	540 m ³ /h
Steam emission	1.0 kg/h
Emission sound pressure level at the workplace (LpA)	65 dB
Net / gross weight	98.0 kg / 130.0 kg (standard packaging)
Packaging dimensions (W x H x D)	730 x 1700 x 870 mm (standard packaging)

*Note:
Electrical equipment suitable for supply voltage:
3N PE 400 V 60 HZ (3N PE 380-415 V 60 Hz)

1.0	machine connection: Drain line hose fitted as odour trap in interior of machine	DN 22
1.1	drain (recommended height 50 mm over 350 mm waste water pump required)	DN 50
2.0	machine connection: fresh water line	G 3/4"
2.1	soft warm water 45 – 60°C max. 0.54 mmol/l CaCO ₃ / 55.4 ppm / CaCO ₃ (max. 2°GH) approx. water flow rate 0.3 l/s min. flow pressure: 250 kPa / 2.5 bar upstream of the solenoid valve, maximum pressure: 500 kPa / 5 bar stopcock and fine screen ≤ 25 µm	DN 20
		G 3/4 a
3.0	machine connection: electricity connecting cable	5G 4mm ²
3.1	electricity supply to the machine	3N PE 400V ~ 60Hz
	nominal current / - capacity	21.7 A / 11.9 kW
	⚡ Voltage equalising cable Fuse protection: 25 A	Fuse protection: 25 A
Electrical equipment suitable for supply voltage: 3N PE 380-415 V 60 Hz / 1N PE 220-240 V 60 Hz		
heat load of the wash room in case of 20 program cycles / h		total ca. 2.1 kW perceptible ca. 1.4 kW latent ca. 0.7 kW
all cables, pipes etc. leaving machine		1.6 m
the position of the connection piping can also be mirror-inverted		
Machine Equipment		
(A) Entry height		
Potential free terminals (changeable to 230V) for local dosing system		
Feeding table on site		
Discharge table on site		
	Recommended suction area according to German VDI 2052 or any local regulations have to be observed to determine ventilation of wash areas	



 MERO MIDDLE EAST FZE G46 Diamond Park, Building #6, office #206 P.O. Box 282365, U.A.E.-Dubai Phone +971 43 415172 E-MAIL: wa@mero.de	Revision DISHWASHER STANDARD DRAWING / SAU		Type JPSTER H 500
	TYPE: CROCKERY Drawing no. S00082298		Date 08.06.2020 m-plan
Scale 1:25	Date 08.06.2020 m-plan	Drawing no. S00082298	Date 08.06.2020 m-plan
SAU	EN	© CIP/FIGHT by MERO	