

UPster H 500 – Hood type dishwasher

MEIKO UPster delivers the warewashing technology for a new generation. State-of-the-art technology at a price that start-ups can afford. And the beauty of UPster is that you just connect it up and you're ready to go! Couldn't be easier!

Execution for: Saudi Arabia
Country of production: China

Hood type dishwashing machine
Fresh water line: Soft warm water 0-3°dH
3-phase current: 3N PE 400V 60Hz
EW10, built-in water softening device

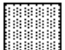


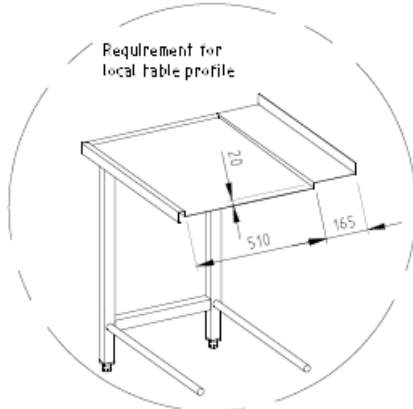
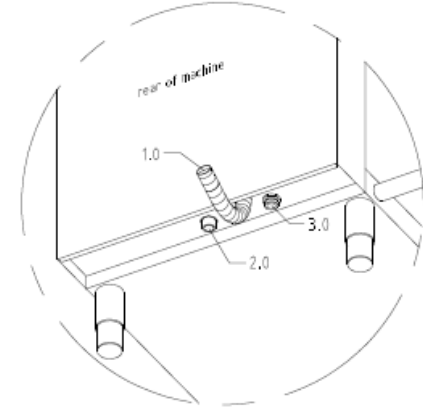
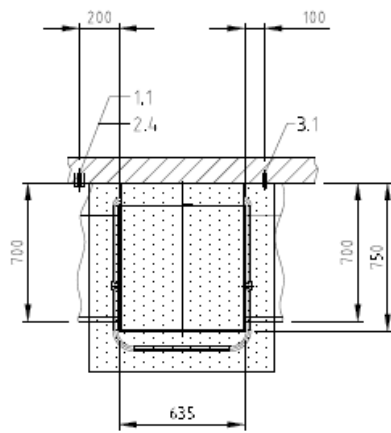
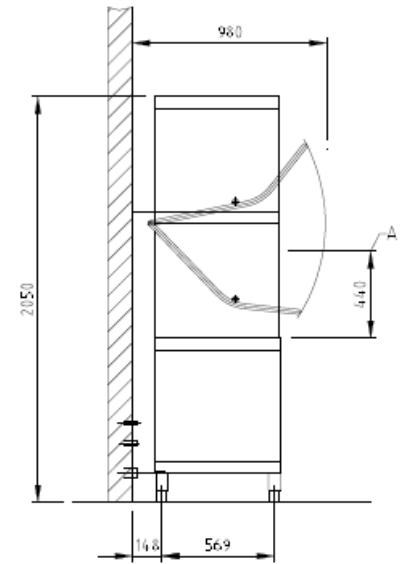
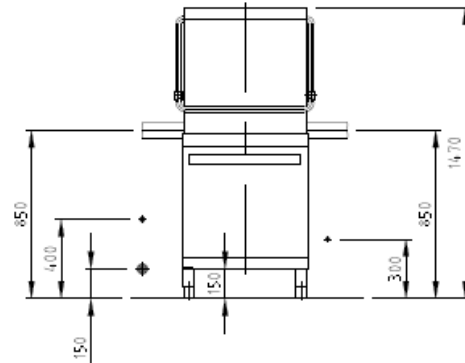
Technical data


Rack capacity/h (theoretical)	60 / 40 / 17 racks/h
Programme cycle	60 / 90 / 210 s
Rack dimension	500 x 500 mm (540 x 500)
Entry height	440 mm
Dimensions (W x Hmin x D)	635 (687) x 1470 x 750 (850) mm (with hood rod)
Electrical feeding cable	3-phase current 3N PE 400V 60Hz* Total connected load: 11.9 kW max. rated current: 21.7 A
Local fuse protection	25 A
Machine protection class	IP X4
Equipment	Automatic program start MIKE control Infrared interface for wireless communication Boiler safety device Automatic self-cleaning when tank is drained Built-in water softening device EW 10, 10000 hardness litres
Fresh water supply	Minimum flow pressure 300 kPa / 3.0 bar in front of solenoid valve Maximum pressure: 500 kPa / 5.0 bar Max. supply water temperature 60 °C
Flow rate	min. 0.3 l/s at 300 kPa/3.0 bar flow pressure
Final rinse water quantity	3 liters/cycle
Boiler	Contents: 9 l Heater: 9.00 kW Temperature: 83 °C

Wash tank	Filling: 22.0 l Heater: 2.00 kW Temperature: 60 °C
Wash pump	Performance: 0.75 kW
Dosing of rinse aid	Potential free terminals (changeable to 230V) for local dosing system
Detergent dosage	Potential free terminals (changeable to 230V) for local dosing system
Material	Cladding: 1.4301 Wash tank: 1.4301 Boiler: 1.4404
Heat emission	for 20 programme cycles/h total: 2.1 kW perceptible: 1.4 kW latent: 0.7 Kw
Ventilation flow rate	540 m ³ /h
Steam emission	1.0 kg/h
Emission sound pressure level at the workplace (LpA)	65 dB
Net / gross weight	107.0 kg / 139.0 kg (standard packaging)
Packaging dimensions (W x H x D)	730 x 1700 x 870 mm (standard packaging)

*Note:
Electrical equipment suitable for supply voltage:
3N PE 400 V 60 HZ (3N PE 380-415 V 60 Hz)

1.0	machine connection: Drain line hose fitted as odour trap in interior of machine	DN 22
1.1	drain (recommended height 150 mm, over 350 mm waste water pump required)	DN 50
2.0	machine connection: fresh water line	G 3/4"
2.4	untreated hot water max. 60°C approx. water flow rate 0.3 l/s min. flow pressure: 300 kPa / 3 bar upstream of the solenoid valve, maximum pressure: 500 kPa / 5 bar stopcock and the screens 25 µm	DN 20
		G 3/4 a
3.0	machine connection: electricity connecting cable	5G 4mm ²
3.1	electricity supply to the machine	3N PE 400V~ 60Hz
	nominal current / - capacity	21,7 A / 11,9 kW
	Ⓢ Voltage equalising cable	Fuse protection: 25 A
Electrical equipment suitable for supply voltage: 3N PE 380-415 V 60 Hz / 1N PE 220-240 V 60 Hz		
heat load of the wash room in case of 20 program cycles / h		total ca. 2,1 kW perceptible ca. 1,4 kW latent ca. 0,7 kW
all cables, pipes etc leaving machine		1,6 m
the position of the connection piping can also be mirror-inverted		
Machine Equipment		
(A) Entry height		
Potential free terminals (changeable to 230V) for local dosingsystem		
EW10, built-in water softening device		
Feeding table on site		
Discharge table on site		
 Recommended suction area according to German VDI 2052 or any local regulations have to be observed to determine ventilation of wash areas		



 MEKO MIDDLE EAST FZE G4 Diamond Park, Building#6, office #206 P.O. Box 237545, U.A.E.-Dubai Phone +971 43 415177 E-MAIL: waf@meko.de		Function DISHWASHER STANDARD DRAWING / SAU	Type UPSTER H 500S
This drawing may not be further passed to third parties for their information or copied or used for other purposes without our consent. All rights reserved. We reserve the right to make changes resulting from technical progress. This drawing was computer generated and is not subject to the drafting and any release process. It is also not subject to change. Responsibility: This document is only valid in conjunction with the conditions defined in supplementary sheet 'important information'. These can be requested from the manufacturer or downloaded from the Internet.		TYPE: CROCKERY Drawing no. S00082301	Date: 08.06.2020 m-iplan
Scale	1:25	Date	08.06.2020 m-iplan
SAU		EN	