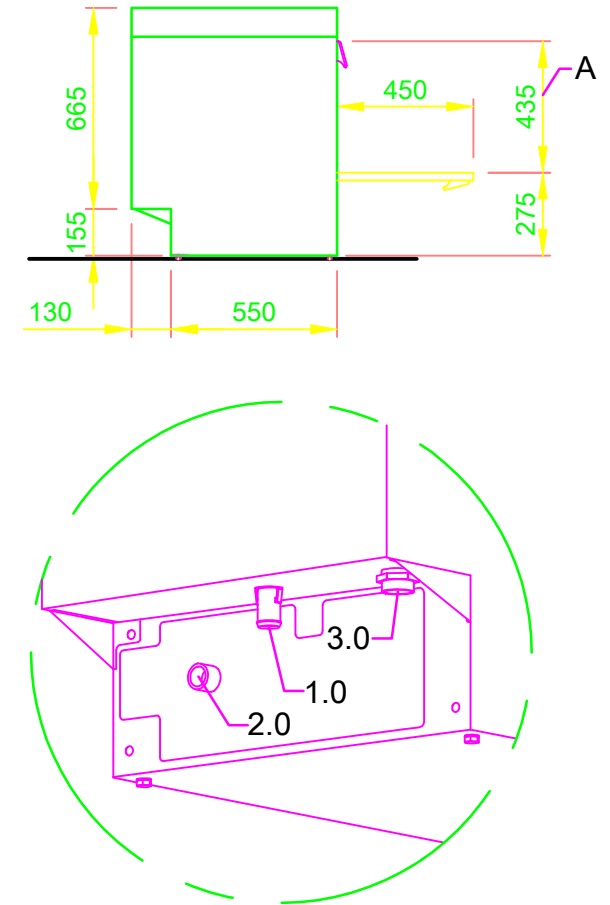
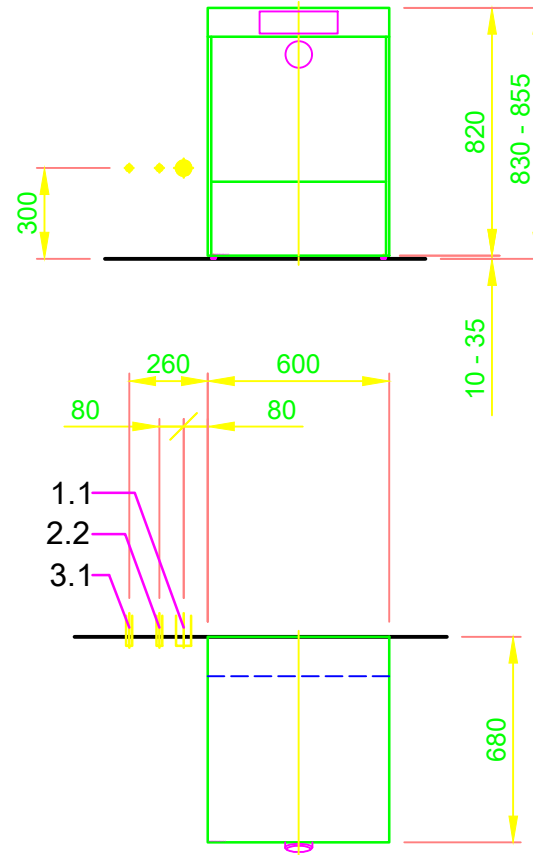



1.0	machine connection: drain connection hose, DN 22 hose fitted as odour trap in interior of machine
1.1	drain (max. 700 mm above finished floor level), DN 50
2.0	Machine connection: fresh water supply, G 3/4"
2.2	Soft cold water 10°C, DN 15, G 3/4 a max. 0,54 mmol/l CaCO ₃ (max. 3°dH) Flow rate: 3 l/min Minimum flow pressure: 60 kPa / 0,6 bar in front of solenoid valve Maximum pressure: 500 kPa / 5,0 bar stopcock and fine screen ≤ 25 µm
3.0	Machine connection: electrical connection cable 3G 2,5 mm ²
3.1	electricity supply to the machine: 1N PE 230V ~ 50Hz nominal current / - capacity: 15,7 A / 2,9 kW Fuse protection: 16 A ⚡ Voltage equalising cable The master switch must be provided on site Note: Electrical equipment suitable for supply voltage: 3N PE 380-415 V 50 Hz / 1N PE 220-240 V 50 Hz
6.0	Heat load of warewash area
6.1	for 20 programme cycles/h total 2,1 kW, perceptible 1,4 kW, latent 0,7 kW
all cables, pipes etc leaving machine 1,6 m	
the position of the connection piping can also be mirror-inverted!	
Machine Equipment	
(A) Entry height	
Final rinse dosing unit with suction lance (blue connector)	
Detergent dosing unit and suction lance	



 <p>MEIKO MIDDLE EAST FZE GoldDiamond Park, Building#6, office #206 P.O. Box 282365, U.A.E.-Dubai Phone +971 43 41 51 72 E-MAIL: wat@meiko.de</p>	<p>Revision</p>	<p>Reference</p> <p>DISHWASHER STANDARD DRAWING / AFG</p>	<p>Type</p> <p>M-ICLEAN UL</p>
	<p>This drawing may not be neither passed to third parties for their information or copied or used for competitive purposes without our consent. All rights reserved. We reserve the right to make changes resulting from technical progress. This drawing was computer generated and is not subject to the checking and any release process; it is also not subject to change management.</p> <p>Please note: This document is only valid in conjunction with the conditions defined in Supplementary Sheet "Important Information". These can be requested from the manufacturer or downloaded from the Partnernet.</p>	<p>TYPE: UNIVERSAL</p>	<p>Drawing-No.</p> <p>S00090074</p>
	<p>Scale</p> <p>1:25</p>	<p>drawn:</p> <p>14.08.2020 m-iplan</p>	<p>checked:</p> <p>14.08.2020 m-iplan</p>